

Bulletin 1411 Current Transformers

Catalog Numbers 1411-2xxx, 1411-8xxx, 1411-125, 1411-126, 1411-180, 1411-600, 1411-601, 1411-604, 1411-606, 1411-608, 1411-615, 1411-616, 1411-617, 1411-AL

Topic	Page
Summary of Changes	2
1411-2xxx Dimensions and Accuracy	2
1411-8xxx Dimensions and Accuracy	3
1411-125 Dimensions and Accuracy	5
1411-126 Dimensions and Accuracy	6
1411-180 Dimensions and Accuracy	7
1411-600 and 1411-601 Dimensions and Accuracy	9
1411-604 Dimensions and Accuracy	10
1411-606 and 1411-608 Dimensions and Accuracy	11
1411-615 Dimensions and Accuracy	12
1411-616 Dimensions and Accuracy	13
1411-617 Dimensions and Accuracy	14
1411-AL Dimensions and Accuracy	15
Agency Certifications	15



Summary of Changes

This publication contains new and updated information as indicated in the following table.

Table 1 - Summary of Changes

Topic	Page
Updated available catalog numbers.	Throughout



ATTENTION: Proper safety precautions must be followed during installation by a trained electrician. Never install while bus is energized. The current transformer must have its secondary terminals that are short circuited or the burden that is connected, before energizing the primary circuit.

1411-2xxx Dimensions and Accuracy

Figure 1 - 1411-2xxx Dimensions

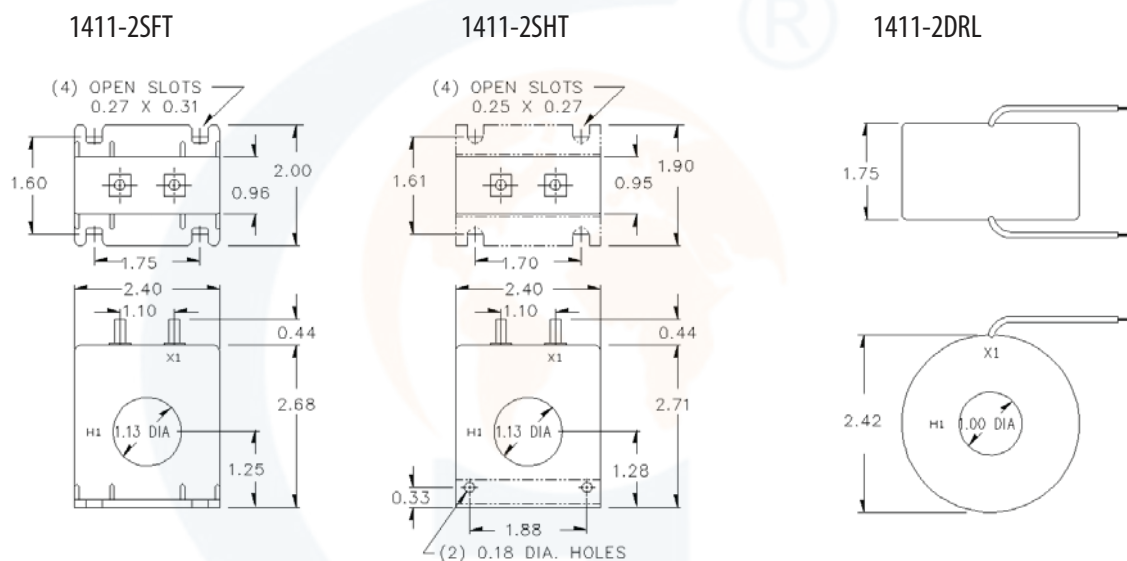


Table 2 - 1411-2xxx Accuracy

Cat. No.	Current Ratio	Models 2SFT, 2SHT		Model 2DRL	
		Accuracy at 60 Hz	Burden VA at 60 Hz	Accuracy at 60 Hz	Burden VA at 60 Hz
1411-2 ⁽¹⁾ -500	50:5	±3%	1.5	±2%	1.5
1411-2 ⁽¹⁾ -800	80:5	±2%	2.0	±2%	4.0
1411-2 ⁽¹⁾ -101	100:5	±1%	2.0	±1%	5.0
1411-2 ⁽¹⁾ -151	150:5	±1%	4.0	±1%	8.0
1411-2 ⁽¹⁾ -201	200:5	±1%	4.0	±1%	10.0
1411-2 ⁽¹⁾ -301	300:5	±1%	8.0	±1%	15.0

(1) When ordering, prefix Cat No. with model designation required, for example, 1411-2SFT-301 or 1411-2DRL-301.

1411-8xxx Dimensions and Accuracy

Figure 2 - 1411-8xxx Dimensions

