

Electrically- and Mechanically-Held Lighting Contactor Specifications

Bulletin Number 500LG

Topic	Page
Specifications	2
Approximate Dimensions	2...4

Additional Resources

These documents contain additional information concerning related products from Rockwell Automation.

Resource	Description
Industrial Automation Wiring and Grounding Guidelines, publication 1770-4.1	Provides general guidelines for installing a Rockwell Automation industrial system.
Product Certifications website, http://www.ab.com	Provides declarations of conformity, certificates, and other certification details.

You can view or download publications at <http://www.rockwellautomation.com/literature/>. To order paper copies of technical documentation, contact your local Allen-Bradley distributor or Rockwell Automation sales representative.



Main Power Poles — Max. AC Voltage and Amp Rating

Load Type	Continuous Ampere Rating [A]	Poles	
		1-Phase	3-Phase
Ballast	30	347V AC	600V AC
General Use	30	600V AC	600V AC
Tungsten	20	277V AC	480V AC
AC Resistive	30	600V AC	600V AC

Control Circuit Characteristics

Coil	
Description	Ratings [VA]
Inrush	248
Sealed	28

Control Module Characteristics

Control Module		
Description	Ratings	
Min. pulse duration (3-wire control module)	250 ms	
Max. allowable leakage current	1.8 mA	
EMI	35 V/m	
Surge transient peak	6 kV	
Frequency range	40...70 Hz	
Input Voltage	Steady State Current @ Rated Voltage (mA)	Max. VA
12...24V DC	42	2
24V AC	80	5
115...120V AC	83	12
200...277V AC	91	30

Wire Size

Component	No. of Cables	Wire Range AWG (Solid or Stranded)	Wire Temp.
Power Poles	1	#14...8	75°C Cu
	2	#14...8★	75°C Cu
Coil	1 or 2	#18...14	60°/75°C Cu
Control Module	1 or 2	#22...12	60°/75°C Cu
Auxiliary Switch	1 or 2	#22...12	60°/75°C Cu

★ #8 AWG stranded only.

Short Circuit Current Rating

Available Symmetrical Amperes RMS				
When used with molded case circuit breakers contained in UL67 listed panelboards			Fuse (30 A)	
At AC Service Voltage	Short Circuit Current Rating [A]	Max. Breaker Size [A]	SCCR J Fuse	SCCR RK1 Fuse
240V	14 000	30	100 kA	50 kA
277V	10 000	30		
480V	5000	40		
600V	5000	40		

Auxiliary Contact Rating

A600, 24V DC, 24VA

Ambient Temperature

-25...+40 °C (-13...+104 °F) — Operating
 -30...+65 °C (-22...+149 °F) — Storage

Typical Wiring Diagrams

TABLE A: 2-WIRE CONNECTION DIAGRAM

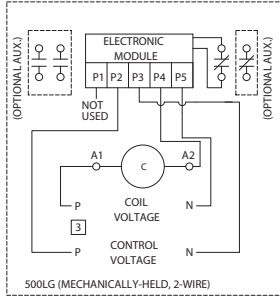


TABLE C: 3-WIRE CONNECTION DIAGRAM

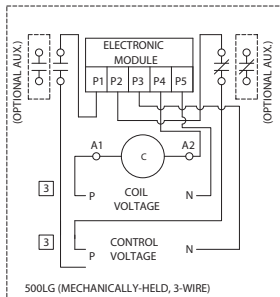


TABLE D: OPTIONAL WIRING AND PILOT DEVICES FOR MECHANICALLY-HELD CONTACTOR, 3-WIRE CONTROL

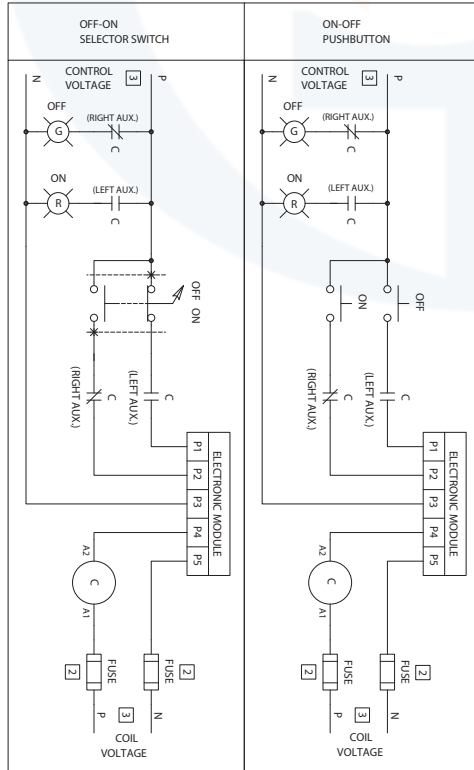
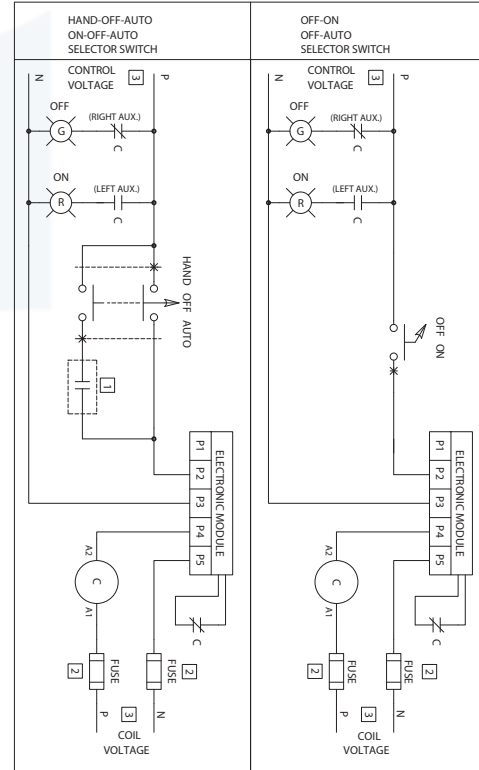


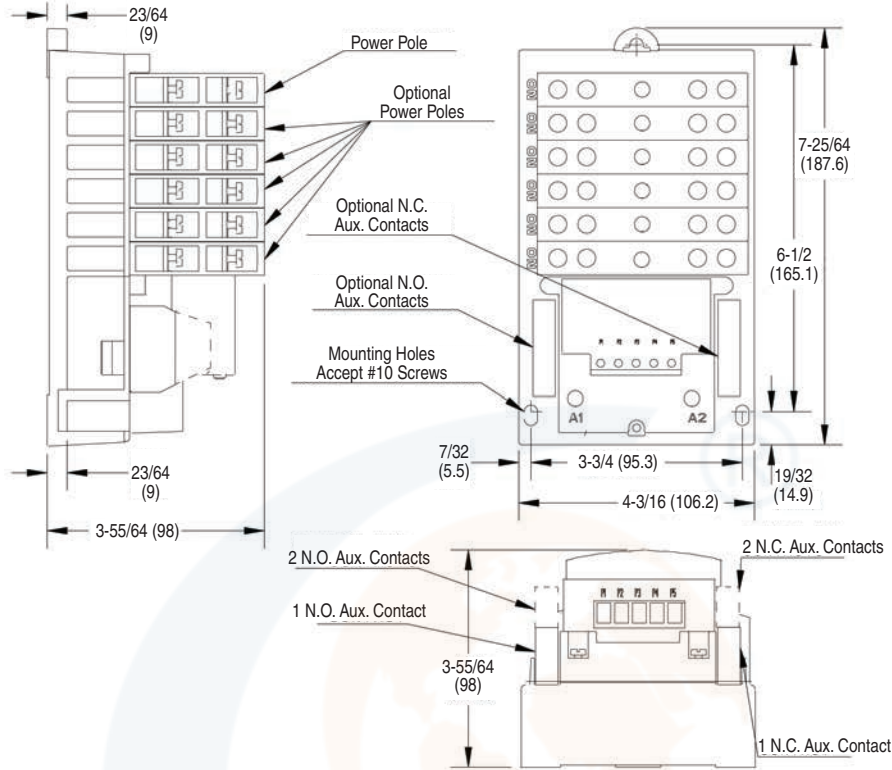
TABLE E: OPTIONAL WIRING AND PILOT DEVICES FOR MECHANICALLY-HELD CONTACTOR, 2-WIRE CONTROL



Approximate Dimensions

Dimensions are shown in inches (mm). Dimensions are not intended for manufacturing purposes.

Open Type Dimensions



Type 3R, Surface Mount 4/4X (Stainless Steel), and 12 Enclosure

